

Sanitary High Pressure Gauge For high pressure homogenizer

Catalog No. G35000; G58000

Lower dead volume for reducing the contamination in the sanitary application and improving the pressure response



1. Open-box Inspection

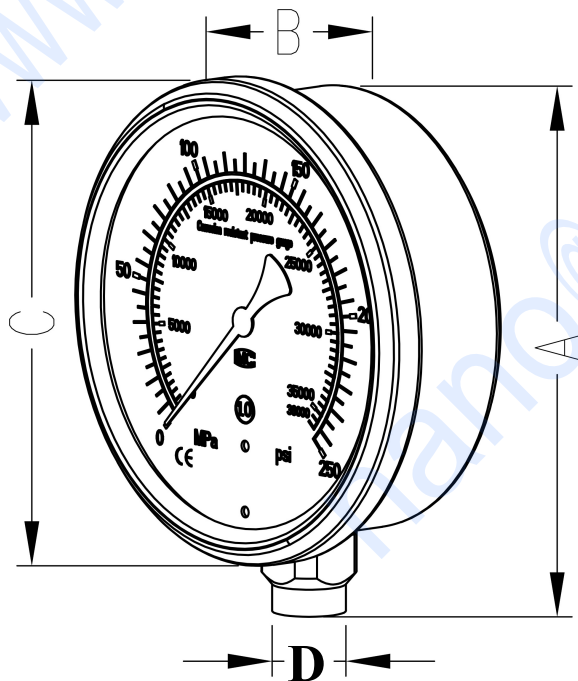
Check whether there is any packing damage. Refer to the shipping list for the integrity of the product.

2. Product Introduction

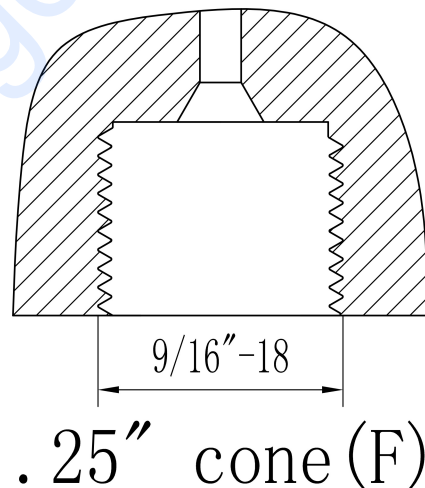
2.1 Brief Introduction

Sanitary High Pressure Gauge for high pressure homogenizer is made of pharmaceutical grade 316L stainless steel approved by FDA and GMP. The main application is to measure the high pressure of fluid from 3,000psi-60,000psi.

2.2 Specifications



Connection D



2.2.1 G35000

Specifications (Catalog No. G35000)


Description	Sanitary High Pressure Gauge
Brand	Genizer
Model Number	G35000
Pressure Range	0-35,000 psi (250 Mpa)
Standard Warranty	1 year against any manufacturing defects
Dimensions A × B × C	13 cm × 5 cm × 10 cm
Weight	1 lbs. (0.5 kg)
Accuracy	±1.0%
Connection D	.25" cone (F)
Compatibility	Microfluidizer, Avestin, BEEI and other main manufactures
Materials	Sanitary 316 Stainless Steel
Other Features	Compliance with FDA sanitary standards Dual-scale reading in psi and MPa
Application	≤ 30,000 psi homogenizer
Price	\$399.00


2.2.2 G58000


Specifications (Catalog No. G58000)


Description	Sanitary High Pressure Gauge
Brand	Genizer
Model Number	G58000
Pressure Range	0-58,000 psi (400 Mpa)
Standard Warranty	1 year against any manufacturing defects
Dimensions A × B × C	13 cm × 5 cm × 10 cm
Weight	1 lbs. (0.5 kg)
Accuracy	±1.6%
Connection D	.25" cone (F)
Compatibility	Microfluidizer, Avestin, BEEI and other main manufactures
Materials	Sanitary 316 Stainless Steel
Other Features	Compliance with FDA sanitary standards Dual-scale reading in psi and MPa
Application	≤ 58,000 psi homogenizer
Price	\$499.00


3. Warnings and Notes


 **Note:** The designed maximum pressure of G58000 gauge is 58,000 Psi. Please do not exceed this pressure during operation. We are not responsible for any over range application.

 **Note:** The designed maximum pressure of G35000 gauge is 35,000 Psi. Please do not exceed this pressure during operation. We are not responsible for any over range application.

 **Warning:** Using original parts to replace worn or damaged parts. Replacement with non-original parts will not be warranted.

 **Warning:** The warranty for pilot and production homogenizer is 60 days.

 **Warning:** Any personal or property damage caused by violation of safety requirements should be responsible by organization or individual who is operating it.

 **Note:** The high pressure gauge is shipped without the anti-vibration oil for safety prohibition. The anti-vibration oil is NOT necessary for high pressure homogenizer.

4. Advantage

The dead volume of Genizer High Pressure Gauge is half of the other brands, therefore lower the contamination in the sanitary application and improve the pressure response.



Other Brand



~6ml dead volume



From BEEI



~6ml dead volume